

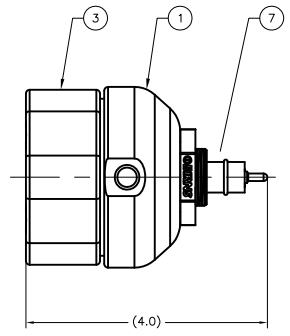
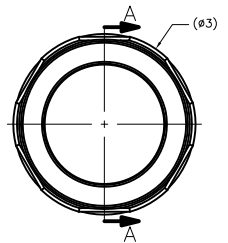
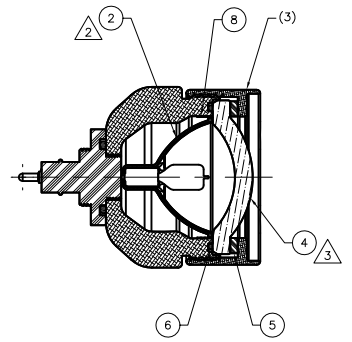
PROG. NO.
 PRELIMINARY INFORMATION
 THIS DRAWING IS THE PROPERTY OF BIRNS
 AND SHOULD BE KEPT IN CONFIDENCE.
 IT IS TO BE USED ONLY FOR THE
 PROJECT AND QUANTITY SPECIFIED.
 ANY REUSE OR REPRODUCTION OF THIS
 DRAWING WITHOUT THE WRITTEN
 PERMISSION OF BIRNS IS PROHIBITED.

| REVISIONS | | | | | | | |
|-----------|-------|------|------|-----|--|--------|----------|
| ZONE | DRAWN | CHKD | APPR | REV | DESCRIPTION | DATE | ECN |
| | | | A | | ADDED ANTI FOAM CUSHION(ITEM #8) | 070508 | E. BIRNS |
| | KHW | KG | SE | B | UPDATES NOTES 3 & 6, ADDED SHEET 3 & 4 | 100315 | 000583 |

NOTES: UNLESS OTHERWISE SPECIFIED.
 (CONT. FROM TITLE BLOCK)

1. APPLY A LIGHT COAT OF LUBRICANT TO O-RING(S) PRIOR TO ASSEMBLY.
2. SEE TABLE 1 FOR LAMP OPTIONS.
3. SEE TABLE 2 FOR LENS OPTIONS, IF NONE SPECIFIED ON W.O. USE 32C-003.
4. SEE TABLE 3 FOR MOUNTING OPTIONS.
5. SOME HIDDEN LINES OMITTED FOR CLARITY.
6. SEE SHEET 3 OF 4 FOR DRAWINGS OF MOUNTING OPTIONS.

**PRODUCTION
 RELEASE**



SECTION A-A

TABLE 1: LAMP OPTIONS

| PART NO. | VOLT/WATT |
|----------|-----------|
| 32C-002 | 12V/50W |
| 32C-003 | 12V/100W |
| 32C-004 | 24V/200W |
| 32C-005 | 24V/250W |
| 32C-006 | 30V/80W |
| 32C-007 | 36V/340W |

TABLE 2: LENS OPTIONS

| PART NO. | COLOR |
|----------|------------|
| 35A-007 | CLEAR |
| 35A-009 | FROST |
| 35A-011 | BLUE |
| 35A-012 | BLUE FROST |

TABLE 3: MOUNTING OPTIONS

| PART NO. | DESCRIPTION |
|----------|----------------------|
| 44A-006 | YOKE ASSEMBLY, XT120 |
| 44C-003 | HELMET BRACKET ASSY. |
| 44B-001 | HANDGRIP ASSEMBLY |

| QTY | PART OR IDENTIFYING NO. | NOMENCLATURE OR DESCRIPTION | MATERIAL SPECIFICATION | ZONE | ITEM NO. |
|-----|-------------------------|-----------------------------|------------------------|------|----------|
| 1 | 52B-001 | ANTI-SHOCK FOAM CUSHION | | | 8 |
| 1 | BEM2P-S2 | SNOOPERETTE LITE CONNECTOR | GRE | | 7 |
| 1 | 59A-005 | O-RING, 2-139 | BUNA 70 | | 6 |
| 1 | 59B-003 | GASKET | SILICONE COMM'L | | 5 |
| 1 | 35A-007 | LENS, XT120, CLEAR | BOROSILICATE COMM'L | | 4 |
| 1 | 56A-003 | LENS RING, XT120 | 6061-T6 AL. | | 3 |
| 1 | 32C-XXX | MR-16 LAMP | | | 2 |
| 1 | 28B-020 | HOUSING, SNOOPERETTE LITE | 6061-T6 AL. | | 1 |

UNLESS OTHERWISE SPECIFIED DIMENSIONS ARE IN INCHES AND PER ASME Y14.5-1994
 TOLERANCES ARE: .XX ± .015
 .XX ± .01
 .XXX ± .005
 .XXXX ± .0005
 ∠ ± .5°
 1/X ± 1/32

CONTRACT: **BIRNS** 1720 FISKE PLACE, CONRO, CA 93033-1863 U.S.A.
 TEL: (909) 487-5300 FAX: (909) 487-5427 www.birns.com

FINISH: SURFACE ROUGHNESS ✓ 63
 EDGE BREAK: 005/015
 REMOVE BURRS AND SHARP EDGES

DO NOT SCALE DRAWING

APPLICATION: NEXT ASSY USED ON

DATE: J. MAGLAQUE 070507
 MFG: E. BIRNS 061213

SCALE: 1/1 UNIT WT.: 1Lb 5 Oz SHEET 1 OF 4

SIZE: D 58608 DWG NO: 56721 REV

PRODUCTION
RELEASE

TABLE 1. LAMP OPTIONS

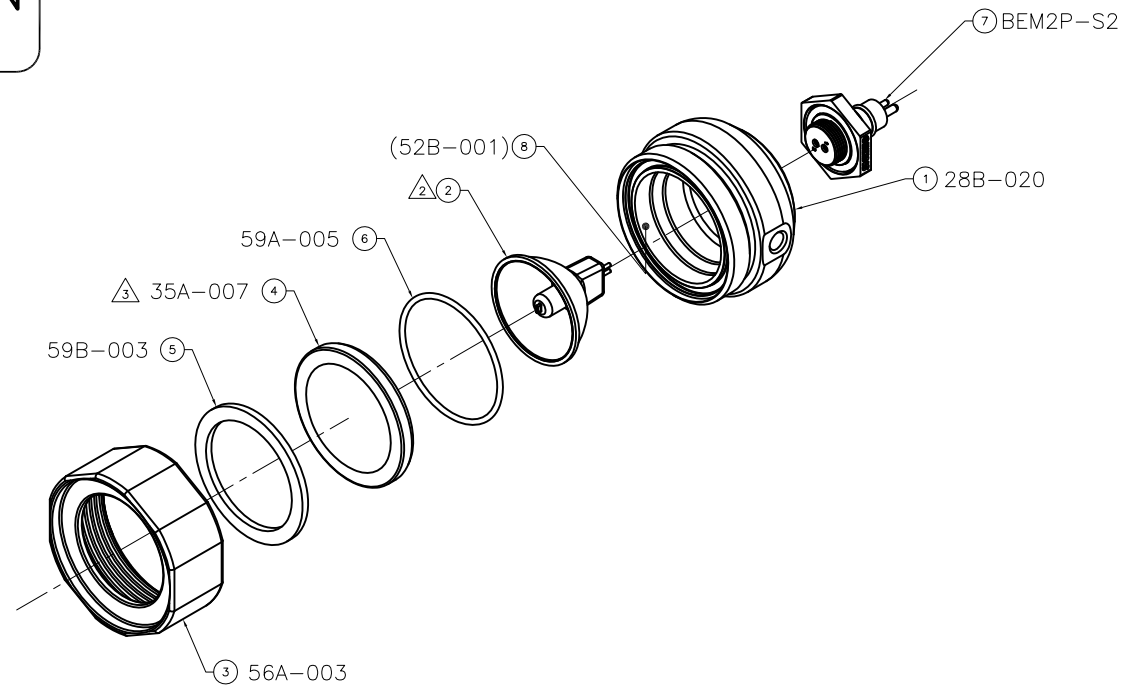
| PART NO. | VOLT/WATT |
|----------|-----------|
| 32C-002 | 12V/50W |
| 32C-003 | 12V/100W |
| 32C-004 | 24V/200W |
| 32C-005 | 24V/250W |
| 32C-006 | 30V/80W |
| 32C-007 | 36V/340W |
| 32C-027 | 24V/50W |

TABLE 2. LENS OPTIONS

| PART NO. | COLOR |
|----------|------------|
| 35A-007 | CLEAR |
| 35A-009 | FROST |
| 35A-011 | BLUE |
| 35A-012 | BLUE FROST |
| 35A-014 | RED |
| 35A-015 | RED FROST |

TABLE 3. MOUNTING OPTIONS

| PART NO. | DESCRIPTION |
|----------|----------------------|
| 44A-006 | YOKE ASSEMBLY, XT120 |
| 44C-003 | HELMET BRACKET ASSY. |
| 44B-001 | HANDGRIP ASSEMBLY |



PROG. NO.
REVISION INFORMATION
DATE
BY
APPROVED BY
DATE
BY
APPROVED BY
DATE
BY
APPROVED BY

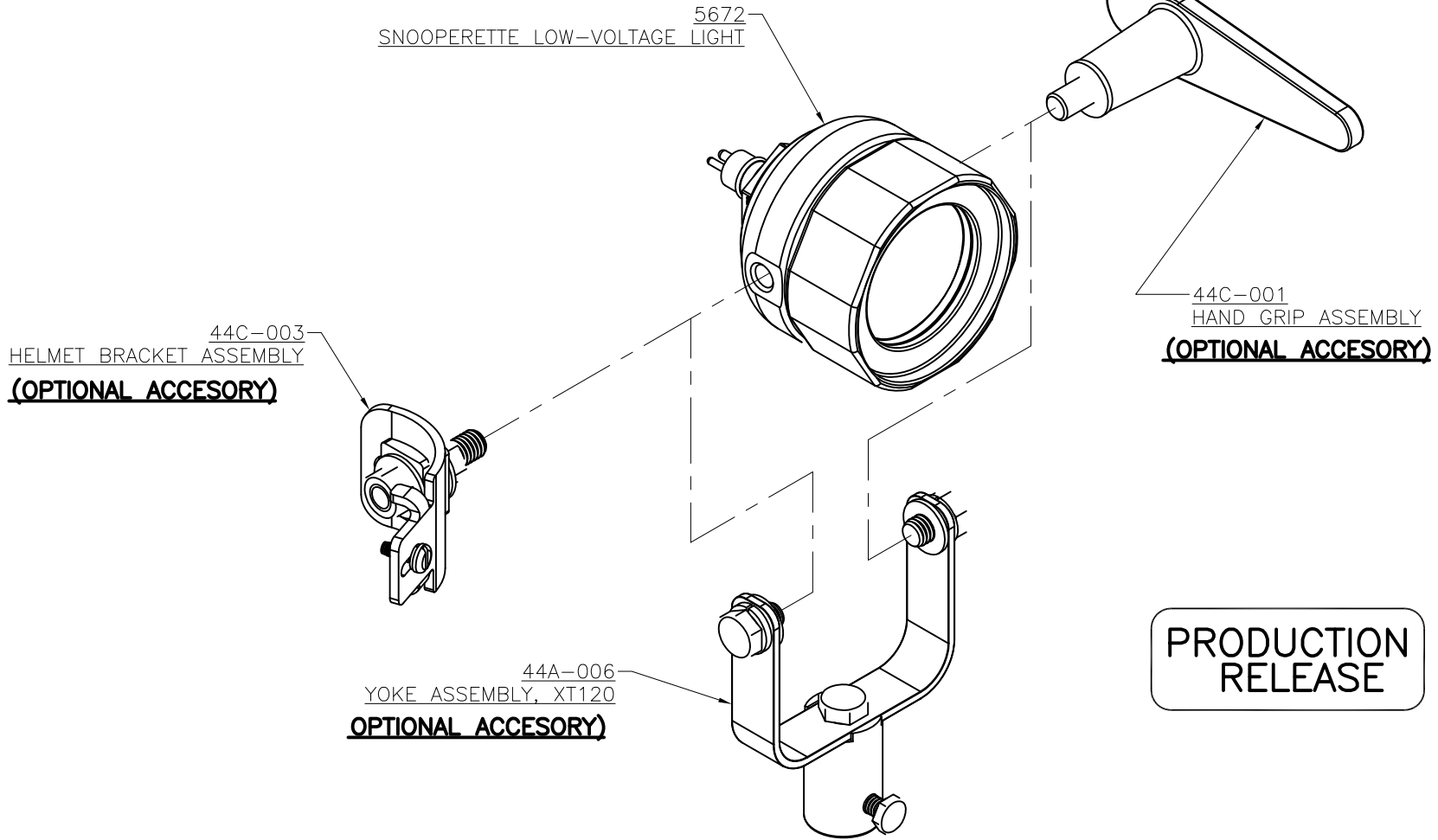
BIRNS 1720 FISKE PLACE, CONNARD, CA 93035-1863 U.S.A.
TEL: (909) 487-5343 FAX: (909) 487-5427 www.birns.com

TITLE
SNOOPERETTE 'LITE'

| | | | |
|------|-----------|---------|-----|
| SIZE | DATE CODE | DWG NO. | REV |
| D | 58608 | 5672 | B |

SCALE: NONE UNIT WT.: SHEET 2 OF 4

BROS. INC.
 SUPPLEMENTARY INFORMATION
 FOR INFORMATION ONLY. THIS DRAWING IS NOT TO BE USED FOR CONSTRUCTION OF ANY EQUIPMENT WITHOUT THE WRITTEN APPROVAL OF BROS. INC. THE USER SHALL BE RESPONSIBLE FOR THE PROPER USE OF THIS DRAWING.



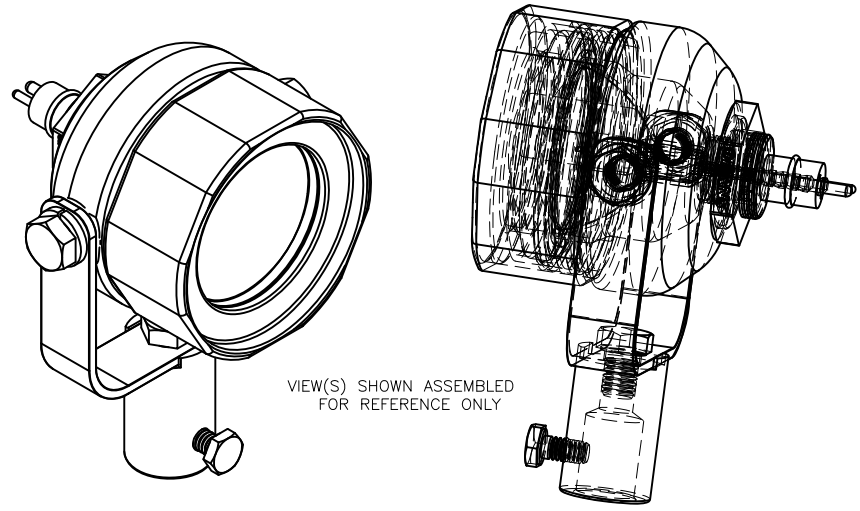
PRODUCTION
RELEASE

4 MOUNTING ACCESORIES
 (SEE SHEET 4 OF 4 FOR ASSEMBLED VIEWS)

| | | | |
|-----------------------|-----------|--|--------------|
| BIRNS | | 1720 FISKE PLACE, CONRAD, CA 93035-1863 U.S.A. | |
| | | TEL: (909) 487-5383 FAX: (909) 487-5427 | |
| | | www.birns.com | |
| TITLE | | | |
| SNOOPERETTE 'LITE' | | | |
| SIZE | DATE CODE | DWG NO. | REV |
| D | 58608 | 5672 | A |
| SCALE: NONE UNIT WT.: | | | SHEET 3 OF 4 |

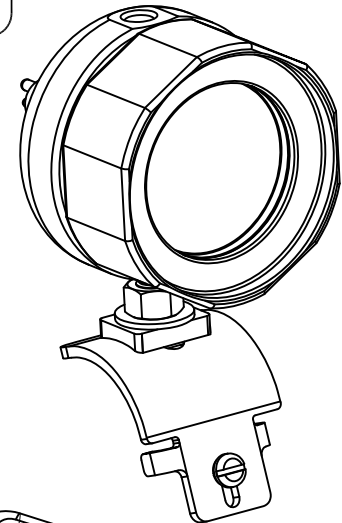
PROG. NO.
 PART NUMBER
 QUANTITY
 DATE
 DRAWN BY
 CHECKED BY
 APPROVED BY
 TITLE

PRODUCTION
 RELEASE

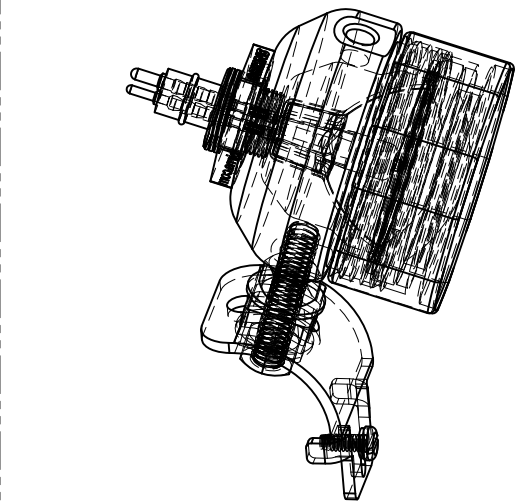


VIEW(S) SHOWN ASSEMBLED
 FOR REFERENCE ONLY

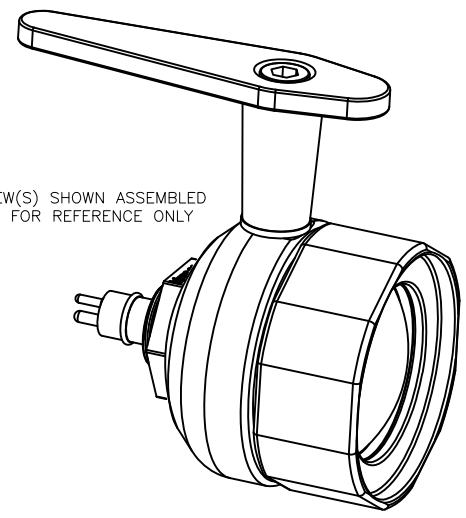
MOUNTING OPTION: YOKE ASSEMBLY. XT120 ⚠



VIEW(S) SHOWN ASSEMBLED
 FOR REFERENCE ONLY



MOUNTING OPTION: HELMET BRACKET ASSEMBLY ⚠



VIEW(S) SHOWN ASSEMBLED
 FOR REFERENCE ONLY

MOUNTING OPTION: HANDGRIP ASSEMBLY ⚠

| | | | |
|---------------------|-----------|--|--------------------------|
| BIRNS | | 1720 FISKE PLACE, DUNWAD, CA 93033-1863 U.S.A. | |
| TEL: (909) 487-3333 | | FAX: (909) 487-3427 | |
| www.birns.com | | | |
| TITLE | | | |
| SNOOPERETTE 'LITE' | | | |
| SIZE | CAGE CODE | DWG NO. | REV |
| D | 58608 | 5672-01-10 | B |
| SCALE: NONE | | | UNIT WT.: 1 SHEET 4 OF 4 |